

CASEMENTS

TIMBER &
ALU CLAD TIMBER



78t

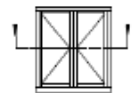
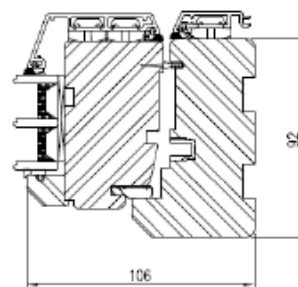
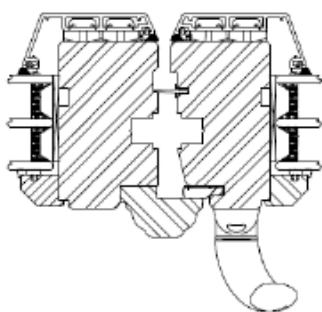
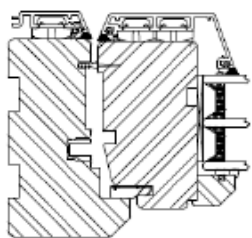
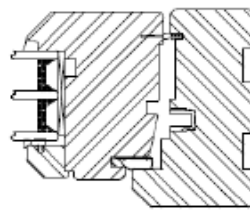
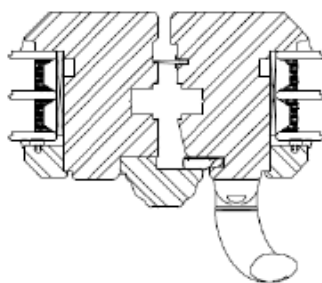
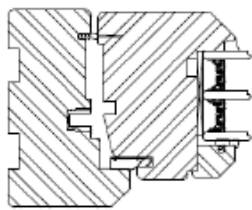
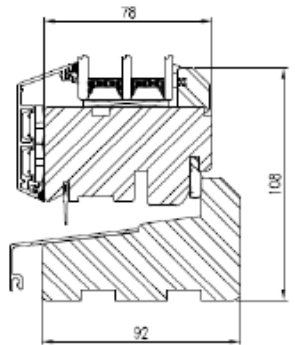
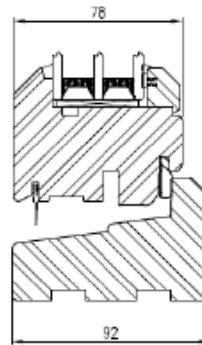
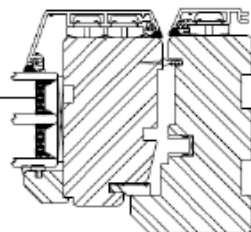
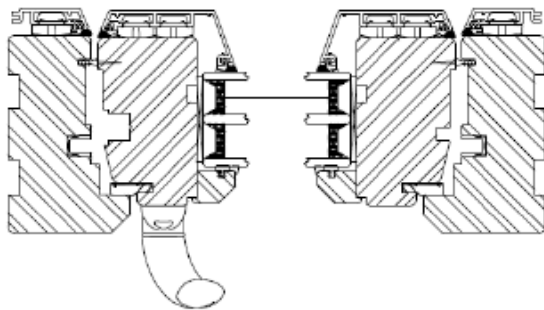
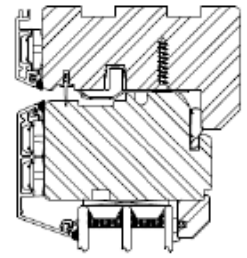
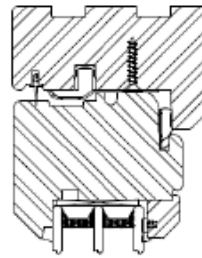
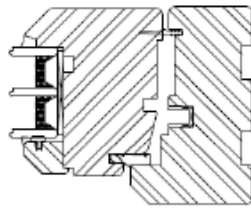
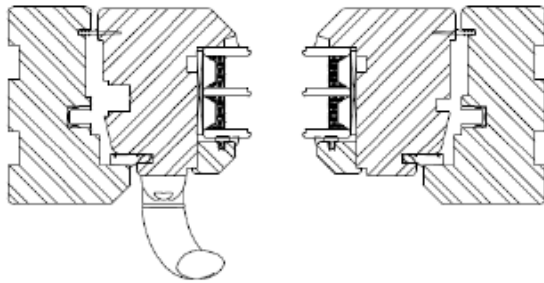
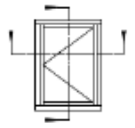
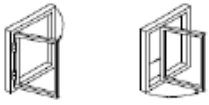
78a

SIDE HUNG

SIDE REVERSIBLE

78t

78a



CASEMENTS

TIMBER &
ALU CLAD TIMBER

Secured by Design



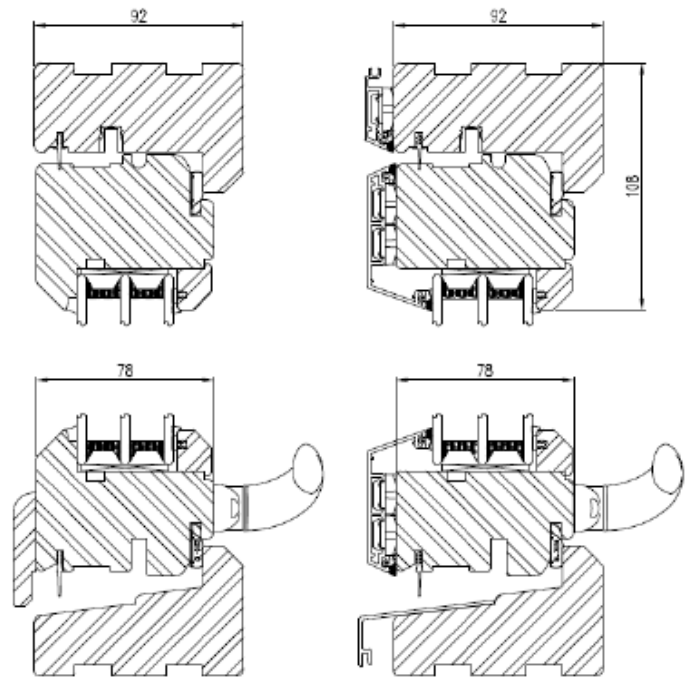
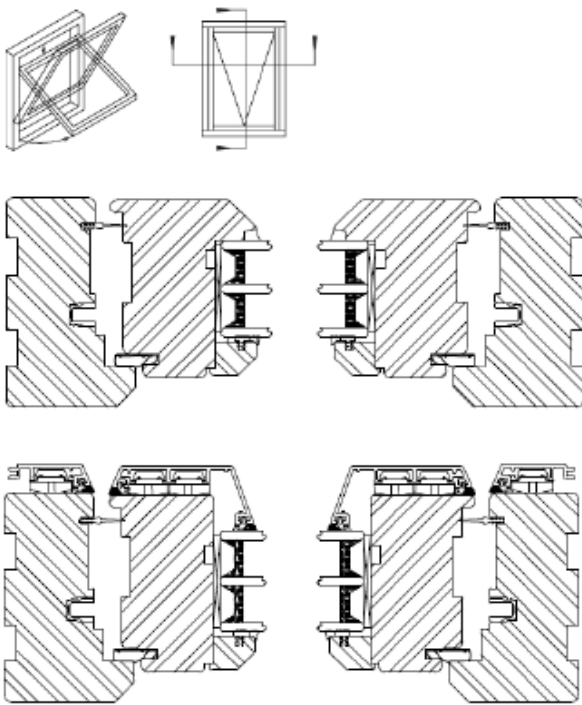
Police Preferred Specification



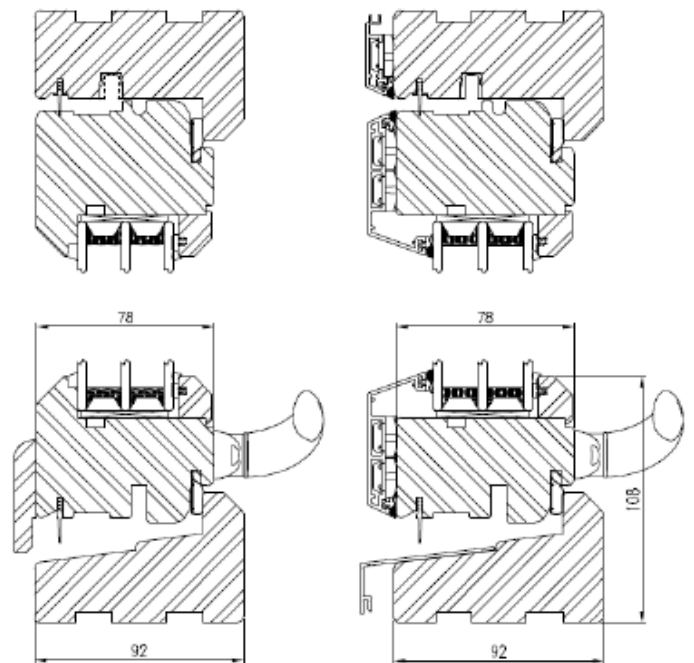
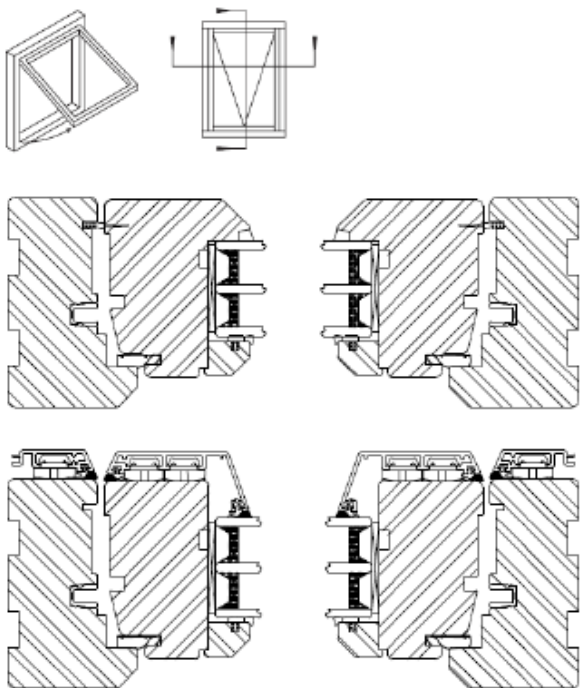
TOP REVERSIBLE

78t

78a



TOP HUNG



Secured by Design



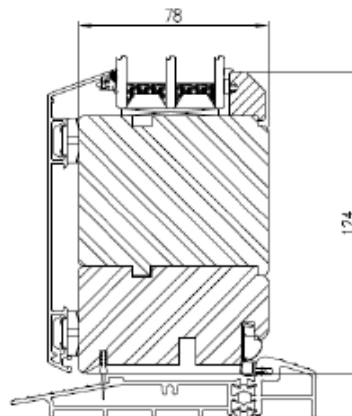
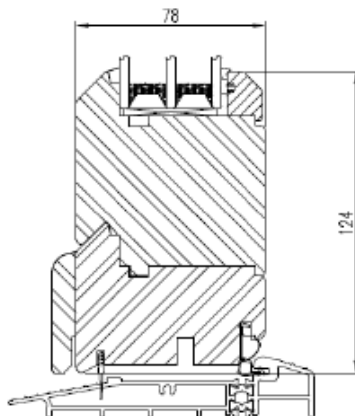
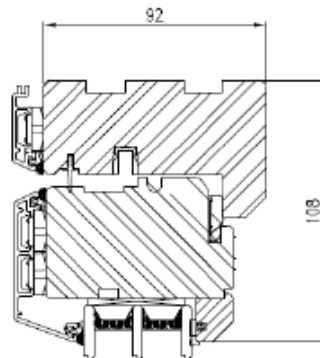
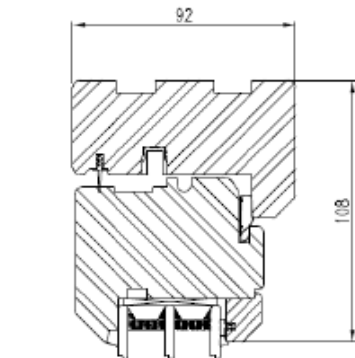
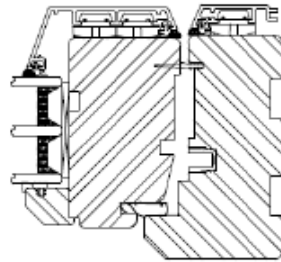
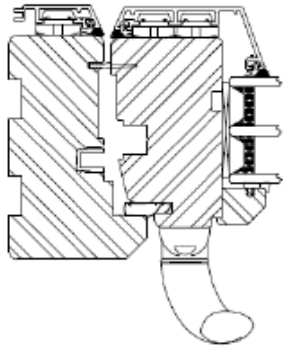
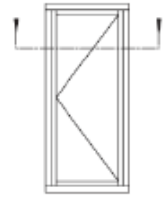
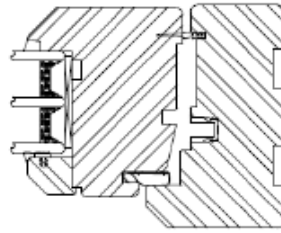
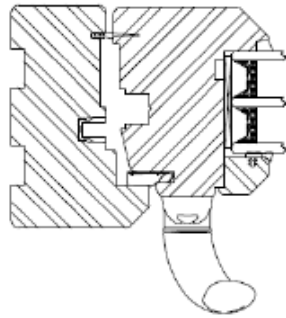
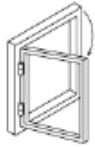
Police Preferred Specification



PATIO DOOR

78t

78a



CASEMENTS

ARBOR CASEMENTS

ENHANCED DESIGN

The Arbor flush outward opening casement range is designed specifically with form, function and the future in mind.

The Arbor casements are available in two options. Firstly, a solid timber option, the natural beauty of timber and its insulating properties will enhance the warmth of any living environment. Secondly give the Arbor range a more contemporary look by adding a low maintenance external aluminium frame. This adds durability while maximising the design life of your windows. Both come with a full factory finish in single or dual colour based on your choice from the RAL colour pallet.

Arbor windows and doors are produced in our state-of-the-art factory on the outskirts of Istanbul. We are proud to employ the finest local craftsmen while at the same time incorporating the latest production, finishing and glazing technologies into our product range. The casement range's components are sourced from the industry leading names offering you peace of mind for many years to come.



MATERIALS:

Wood:

We use laminated scantlings certified FSC or PEFC

- PINE
- OAK
- RED GRANDIS

All our timber components are treated against insects, fungi and humidity, then stained or painted according to your choice with water based products.

- Stained finishes can be selected from our colour chart.
- Any RAL colour may be selected for painted finishes.

Aluminum:

All our alu components are anodised or thermolacquered according to your choice.

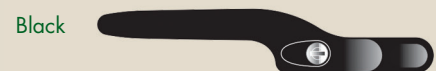
- Anodisation colours can be selected from our colour chart.
- Any RAL colour may be selected for lacquered finishes.

Seals:

- The seals between glazing and profiles are EPDM.
- The two peripheric seals are Q-LON (SCHLEGEL).

Ironmongery:

The highly regarded SPILKA hinges are used on all opening types. Handle options are at the next picture.





15% of the total thermal energy of an average residential building is lost through windows. ARBOR casement windows are designed to safeguard the energy of our planet with the most ecological building material in the world: timber.

From simple side or top hung windows to sophisticated reversible casements, our products will satisfy the highly demanding world of building industry.

$U_w \leq 1.20$ W/m²K

with Double Glazing Units of $U_g=1.0$ Wm²K and Warmedge

Max IGU thickness= 44 mm



ARBOR Windows Ltd
206, Coloursworks 22-24 Ashwin
Street London E8 3DL ENGLAND
T: +44 (0)789 9247994
www.arborwindows.co.uk

SELETRON Ltd. Şti.
Atatürk Bulvarı,
Köstemir Yolu Cad. No: 74
Silivri 34570 İstanbul / TÜRKİYE
T: +90 212 7360801
www.arbor.com.tr

ARBOR SAS
16 Rue Séjourné
94000 Créteil / FRANCE
T: +33 (0) 1 43 77 56 36
www.arborfenetres.fr



Enhanced
Security
Door

